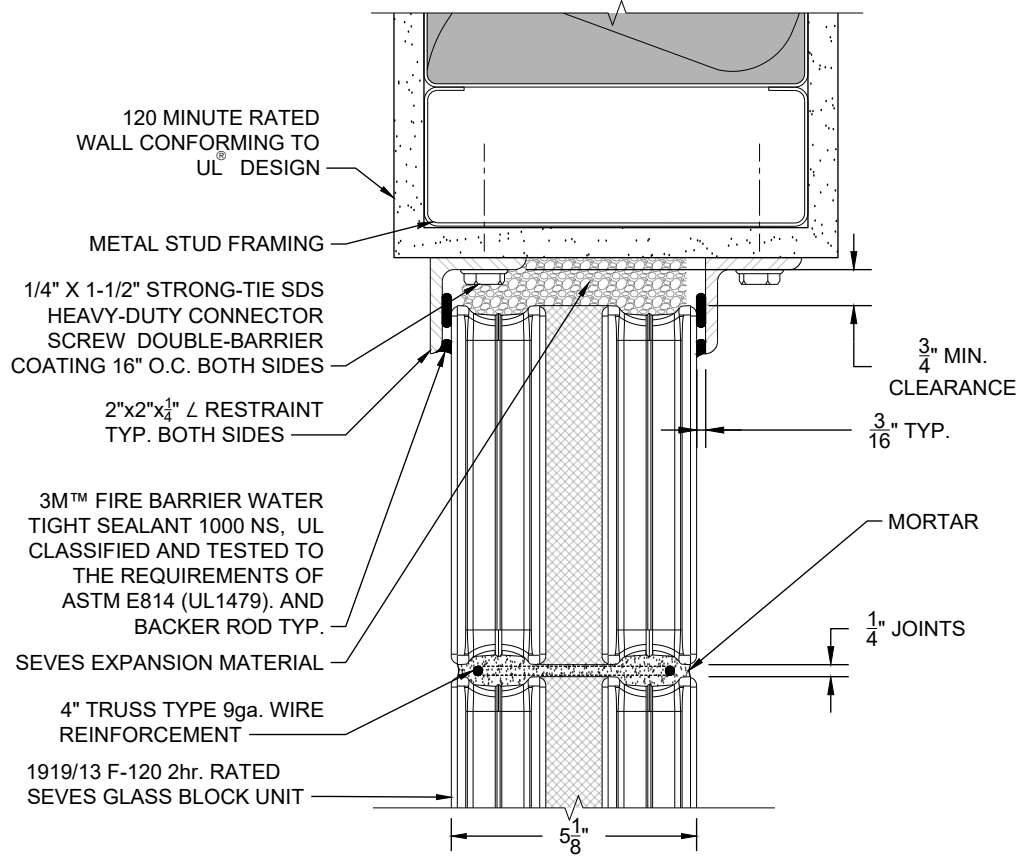
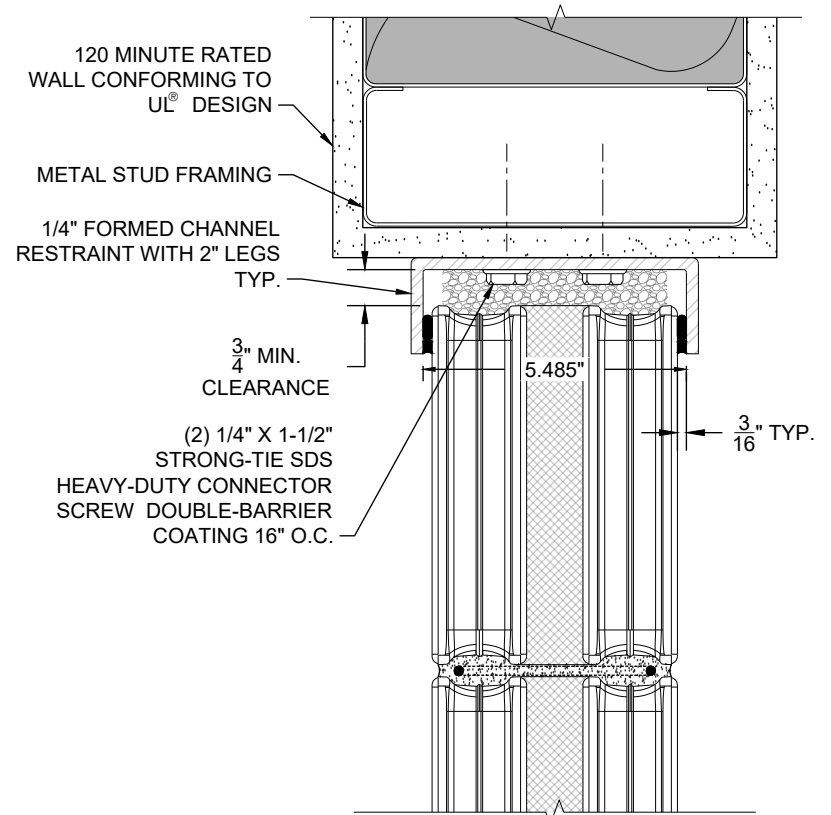


# DESIGN INTENT



**ANGLE IRON RESTRAINT**  
SCALE: 3"=1'-0"



**FORMED CHANNEL RESTRAINT**  
SCALE: 3"=1'-0"

## ASTM E-119 HEAD DETAIL - 120 MIN WALL RATED FIRE GLASS BLOCK AT METAL STUD WALL

CONFIDENTIAL – PROPRIETARY THESE DRAWINGS WERE CREATED BY AND REMAIN THE PROPERTY OF SEVES GLASS BLOCK INC. UNAUTHORIZED DISCLOSURE, DISTRIBUTION OR COPYING OF THESE DRAWINGS IS STRICTLY PROHIBITED. THE FOLLOWING DETAILS ILLUSTRATE DESIGN INTENT; VARIATIONS MAYBE ACCEPTABLE. PLEASE CONTACT SEVES GLASS BLOCK TECHNICAL DEPARTMENT FOR FURTHER CONSULTATION.



PROJECT ASTM E-119 FIRE RATED CONST. DETAIL		
TITLE HEAD - 120 MIN FIRE RATED GLASS BLOCK AT METAL STUD WALL		
SCALE 3"=1'-0"	DWG. NO. FR-114	REV 0
BY MAI	DATE 06/01/2022	SHEET 1

# DESIGN INTENT

1/4" X 1-1/2" STRONG-TIE SDS  
HEAVY-DUTY CONNECTOR  
SCREW DOUBLE-BARRIER  
COATING 16" O.C. BOTH SIDES

120 MINUTE FIRE RATED  
WALL CONFORMING TO  
UL® DESIGN

4" TRUSS TYPE 9ga. WIRE REINFORCEMENT  
INSTALLED AT TOP OF FIRST COURSE,  
BEFORE THE LAST COURSE AND EVERY  
OTHER COURSE IN BETWEEN TAKE CARE  
NOT TO OVERLAP COMPONENTS.

3/4" MIN.  
CLEARANCE

3/16" TYP.

5.110"

1919/13 F-120 2hr. RATED  
SEVES GLASS BLOCK UNIT

SEVES EXPANSION MATERIAL  
3M™ FIRE BARRIER WATER  
TIGHT SEALANT 1000 NS, UL  
CLASSIFIED AND TESTED TO THE  
REQUIREMENTS OF ASTM E814  
(UL1479). AND BACKER ROD TYP.

2"x2"x1/4" L RESTRAINT  
TYP. BOTH SIDES

**ANGLE IRON RESTRAINT**  
SCALE: 3"=1'-0"

1/4" FORMED CHANNEL  
RESTRAINT WITH 2" LEGS  
TYP.

3/4" MIN.  
CLEARANCE

3/16" TYP.

5.485"

(2) 1/4" X 1-1/2"  
STRONG-TIE SDS  
HEAVY-DUTY  
CONNECTOR SCREW  
DOUBLE-BARRIER  
COATING 16" O.C.

120 MINUTE FIRE RATED  
WALL CONFORMING TO  
UL® DESIGN

**FORMED CHANNEL RESTRAINT**  
SCALE: 3"=1'-0"

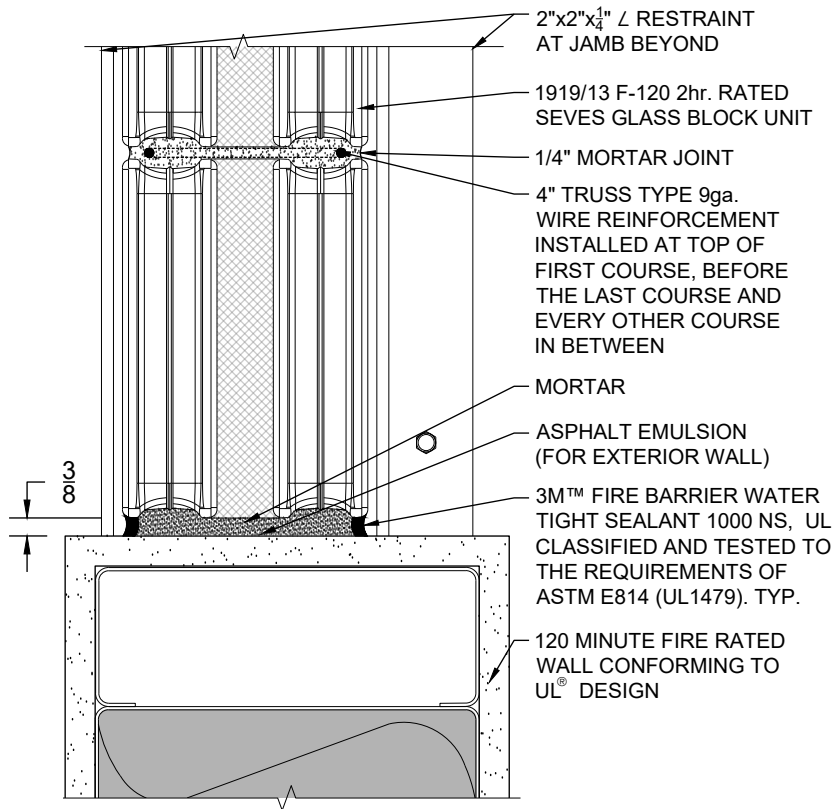
## ASTM E-119 JAMB DETAIL - 120 MIN WALL RATED FIRE GLASS BLOCK AT METAL STUD WALL

CONFIDENTIAL – PROPRIETARY THESE DRAWINGS WERE CREATED BY AND REMAIN THE PROPERTY OF SEVES GLASS BLOCK INC. UNAUTHORIZED DISCLOSURE, DISTRIBUTION OR COPYING OF THESE DRAWINGS IS STRICTLY PROHIBITED. THE FOLLOWING DETAILS ILLUSTRATE DESIGN INTENT; VARIATIONS MAYBE ACCEPTABLE. PLEASE CONTACT SEVES GLASS BLOCK TECHNICAL DEPARTMENT FOR FURTHER CONSULTATION.

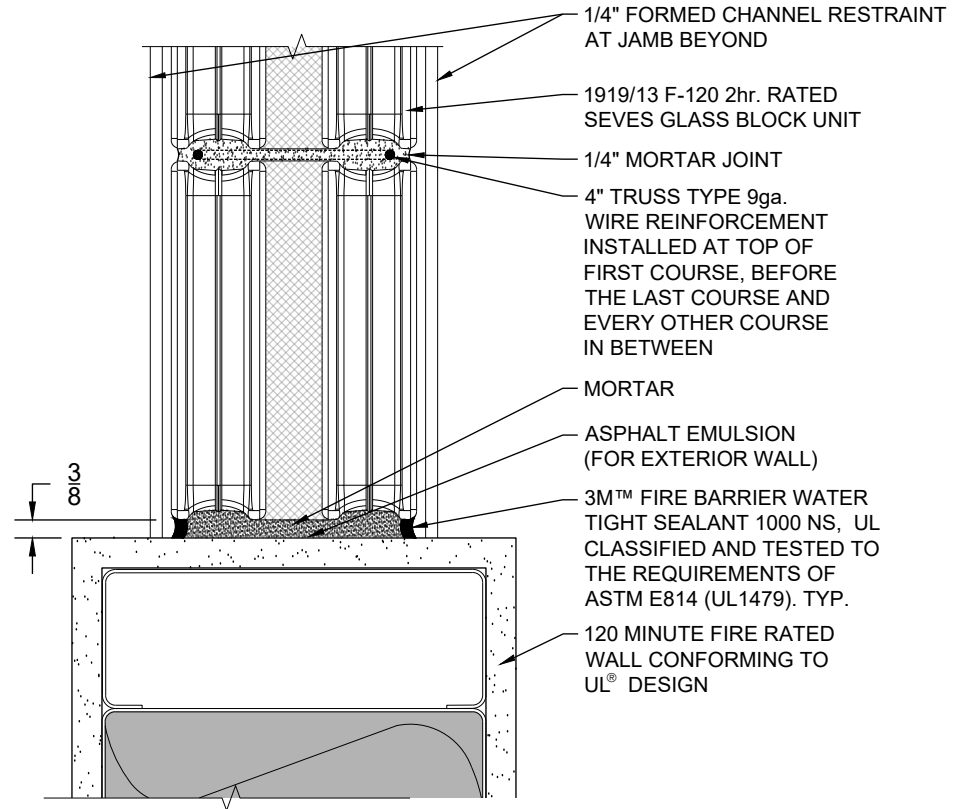


PROJECT ASTM E-119 FIRE RATED CONST. DETAIL		
TITLE HEAD - 120 MIN FIRE RATED GLASS BLOCK AT METAL STUD WALL		
SCALE 3"=1'-0"	DWG. NO. FR-125	REV 0
BY MAI	DATE 06/01/2022	SHEET 1

# DESIGN INTENT



**ANGLE IRON RESTRAINT**  
SCALE: 3"=1'-0"



**FORMED CHANNEL RESTRAINT**  
SCALE: 3"=1'-0"

## ASTM E-119 SILL DETAIL - 120 MIN WALL RATED FIRE GLASS BLOCK AT METAL STUD WALL

CONFIDENTIAL - PROPRIETARY THESE DRAWINGS WERE CREATED BY AND REMAIN THE PROPERTY OF SEVES GLASS BLOCK INC. UNAUTHORIZED DISCLOSURE, DISTRIBUTION OR COPYING OF THESE DRAWINGS IS STRICTLY PROHIBITED. THE FOLLOWING DETAILS ILLUSTRATE DESIGN INTENT; VARIATIONS MAYBE ACCEPTABLE. PLEASE CONTACT SEVES GLASS BLOCK TECHNICAL DEPARTMENT FOR FURTHER CONSULTATION.

	PROJECT ASTM E-119 FIRE RATED CONST. DETAIL		
	TITLE SILL - 120 MIN FIRE RATED GLASS BLOCK AT METAL STUD WALL		
	SCALE 3"=1'-0"	DWG. NO. FR-134	REV 0
	BY MAI	DATE 06/01/2022	SHEET 1